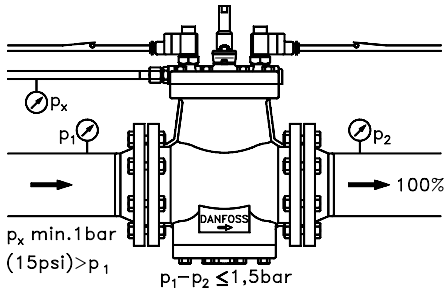
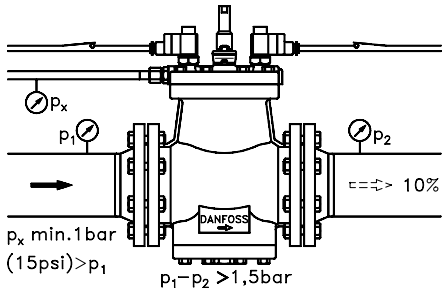
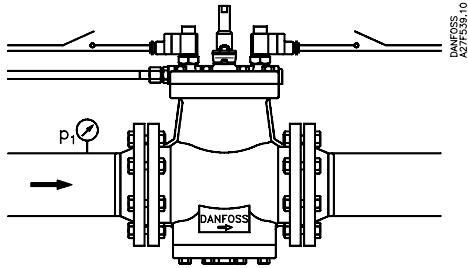
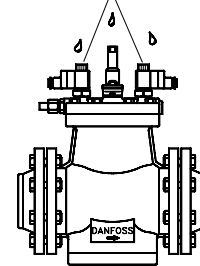


027R9510

027R9510

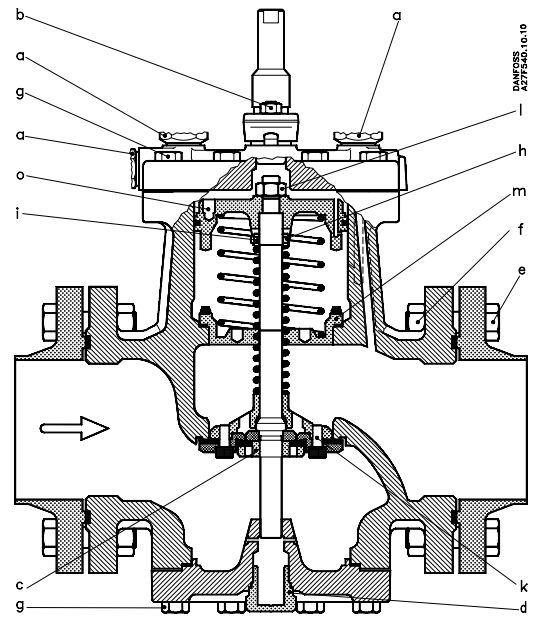


IP 67(IEC 529/DIN 40050)



DANFOSS A27F576.11


140 > TB(°C) ≥ -10 → PB(bar) = 28  
-10 > TB(°C) > -50 → PB(bar) = 21



DANFOSS A27F540.10.10

Pos. item	 DANFOSS A600-08.12			 Torque DANFOSS A27F561.11		
	PMLX 80	PMLX 100	PMLX 125	PMLX 80	PMLX 100	PMLX 125
a		M24 × 1.5			50 Nm	
b		M12 × 1.75			25 Nm	
c	M22 × 1.5	M22 × 1.5	M26 × 1.5	60 Nm	60 Nm	80 Nm
d		M35 × 1.5			175 Nm	
e	M20 × 2.5	M20 × 2.5	M24 × 3			
f	M20 × 2.5		M24 × 3	105 Nm	135 Nm	200 Nm
g	M14 × 2	M14 × 2	M16 × 2	80 Nm	80 Nm	125 Nm
h		M6 × 1				
i		M6 × 1			10 Nm	
k	M8 × 1.25	M10 × 1.5	M12 × 1.75	25 Nm	40 Nm	60 Nm
l	M14 × 1.5	M16 × 1.5	M20 × 1.5	45 Nm	60 Nm	90 Nm
m	M100 × 2	M120 × 2	M145 × 2	150 Nm	220 Nm	310 Nm
o	M8 × 1.25	M10 × 1.5	M12 × 1.75			

1 Nm = 0.1 kpm = 0.74 lbf-ft

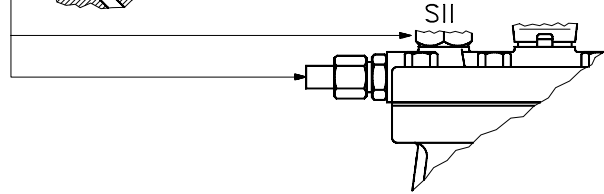
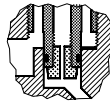
10 / 12 W a.c. +10% -15%   $t_{min} = -40^{\circ}\text{C} (-40^{\circ}\text{F})$   
 $t_{max} = 80^{\circ}\text{C} (175^{\circ}\text{F})$

Max. opening diff. pressure (MOPD) 21 bar (300psig)

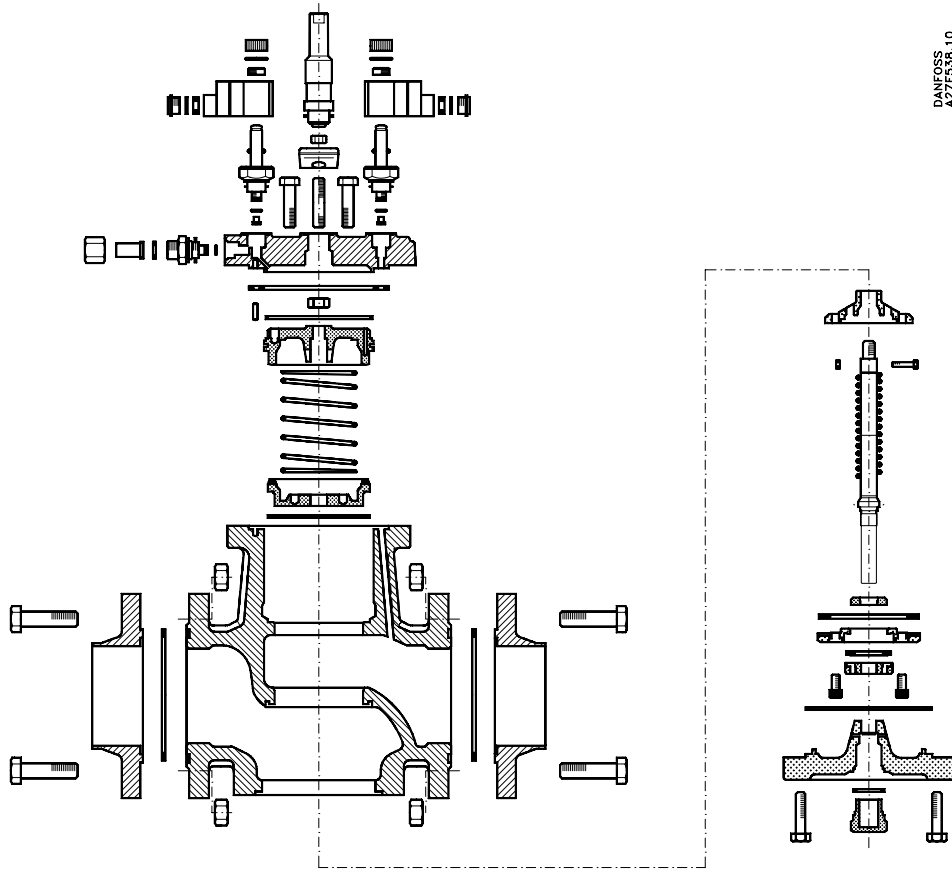
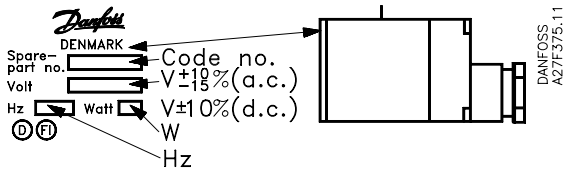
20 W a.c. +10% -15%   $t_{min} = -40^{\circ}\text{C} (-40^{\circ}\text{F})$   
 $t_{max} = 50^{\circ}\text{C} (120^{\circ}\text{F})$

Max. opening diff. pressure (MOPD) 14 bar (200psig)

$p_x > p_1 + 2\text{bar}$



DANFOSS  
A27F375.11



DANFOSS  
A27F535.10

**Reservedele**  
**Spare parts**  
**Ersatzteile**

**Pièces de rechange:**

Se katalog RK.0X.G3.02  
 See catalogue RK.0X.G3.02  
 Siehe Katalog RK.0X.G3.02  
 Voir le catalogue RK.0X.G3.02

**Teknisk brochure**  
**Technical leaflet**  
**Technische Broschüre**

**Fiche technique:**

Se RC.3F.A1.01  
 See RC.3F.A1.02  
 Siehe RC.3F.A1.03  
 Voir RC.3F.A1.04