

Fig. 1, Piston assembly

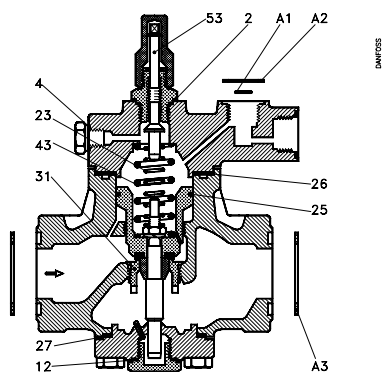


Fig. 2, PMFL

Description	Qty	Size 80-1	Size 80-2	Size 80-3	Size 80-4	Size 80-5
		Code no.	Code no.	Code no.	Code no.	Code no.
Piston assembly, fig. 1		027F0238	027F0239	027F0240	027F0241	027F0242
Pos. 1 Piston	1					
2 Nut	1					
3 Spring washer	1					
4 Valve plate	1					
5 Regulating cone	1					
6 Push rod	1					
7 Piston ring	1					
Valve plate, fig. 1		027F0689	027F0689	027F0689	027F0690	027F0690
Pos. 4 Valve plate	1					
Manual setting device, fig. 2		027F2131	027F2131	027F2131	027F2131	027F2131
Pos. 2 Alu gasket	1					
53 Setting device assy	1					
Piston ring, fig. 2		027F0650	027F0650	027F0650	027F0650	027F0650
Pos. 25 Piston ring	1					
Orifice, fig. 2		027F0667	027F0667	027F0667	027F0668	027F0668
Pos. 31 Orifice	1					
Spring set "STANDARD", fig. 2		027F0916	027F0916	027F0916	027F0916	027F0916
Pos. 23 Spring	1					
43 Spring	1					
Spring set "WEAK", fig. 2		027F0123	027F0123	027F0123	027F0123	027F0123
Pos. 23 Spring	1					
43 Spring	1					
Label	1					
Spring set "STRONG", fig. 2		027F0118	027F0118	027F0118	027F0118	027F0118
Pos. 23 Spring	1					
43 Spring	1					
Label	1					
Seal kit, fig. 2		027F0086	027F0086	027F0086	027F0086	027F0086
Pos. 2 Alu gasket	1					
4 Alu gasket	1					
12 Gasket	1					
26 Gasket	1					
27 Gasket	1					
A1 O-ring	3					
A2 Gasket	3					
A3 Gasket	2					
Seal kit, fig. 2		027F2170	027F2170	027F2170	027F2170	027F2170
Pos. 26 Gasket	1					
27 Gasket	1					
Flange gaskets, fig. 2		027F2175	027F2175	027F2175	027F2175	027F2175
Pos. A3 Gasket	2					

Flanges, bolts and nuts: See RX00A

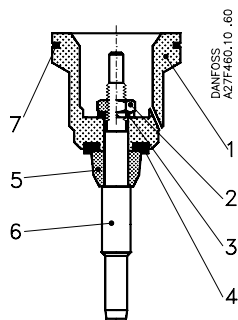


Fig. 1, Piston assembly

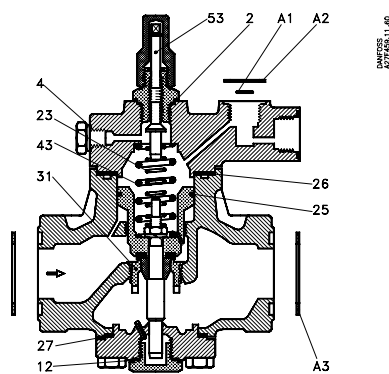


Fig. 2, PMFL

		Size 80-6	Size 80-7	Size 125	Size 200	Size 300
Description	Qty	Code no.	Code no.	Code no.	Code no.	Code no.
Piston assembly, fig. 1		027F0243	027F0244	027F0245	027F0246	027F0247
Pos. 1 Piston	1					
2 Nut	1					
3 Spring washer	1					
4 Valve plate	1					
5 Regulating cone	1					
6 Push rod	1					
7 Piston ring	1					
Valve plate, fig. 1		027F0690	027F0690	027F0691	027F0683	027F0684
Pos. 4 Valve plate	1					
Manual setting device, fig. 2		027F2131	027F2131	027F2132	027F2132	027F2133
Pos. 2 Alu gasket	1					
53 Setting device assy	1					
Piston ring, fig. 2		027F0650	027F0650	027F0651	027F0652	027F0653
Pos. 25 Piston ring	1					
Orifice, fig. 2		027F0668	027F0668	027F0679	027F0680	027F0681
Pos. 31 Orifice	1					
Spring set "STANDARD", fig. 2		027F0916	027F0916	027F0917	027F0918	027F0919
Pos. 23 Spring	1					
43 Spring	1					
Spring set "WEAK", fig. 2		027F0123	027F0123	027F0124	027F0125	027F0126
Pos. 23 Spring	1					
43 Spring	1					
Label	1					
Spring set "STRONG", fig. 2		027F0118	027F0118	027F0119	027F0120	027F0121
Pos. 23 Spring	1					
43 Spring	1					
Label	1					
Seal kit, fig. 2		027F0086	027F0086	027F0087	027F0088	027F0089
Pos. 2 Alu gasket	1					
4 Alu gasket	1					
12 Gasket	1					
26 Gasket	1					
27 Gasket	1					
A1 O-ring	3					
A2 Gasket	3					
A3 Gasket	2					
Seal kit, fig. 2		027F2170	027F2170	027F2171	027F2172	027F2173
Pos. 26 Gasket	1					
27 Gasket	1					
Flange gaskets, fig. 2		027F2175	027F2175	027F2176	027F2177	027F2178
Pos. A3 Gasket	2					

Flanges, bolts and nuts: See RX00A

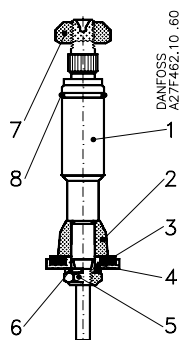


Fig. 1, Piston assembly

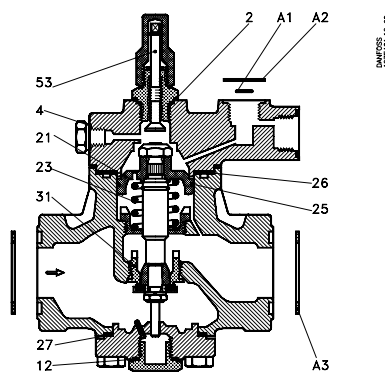


Fig. 2, PMFH

		Size 80-2	Size 80-3	Size 80-4	Size 80-5	Size 80-6
Description	Qty	Code no.	Code no.	Code no.	Code no.	Code no.
Piston rod assembly, fig. 1		027F0248	027F0249	027F0250	027F0251	027F0252
Pos. 1 Push rod	1					
2 Regulating cone	1					
3 Valve plate	1					
4 Clamping plate	1					
5 Nut	1					
6 Spring washer	1					
7 Nut	1					
8 Locking ring	1					
Valve plate, fig. 1		027F0690	027F0690	027F0690	027F0690	027F0690
Pos. 3 Valve plate	1					
Manual operation device, fig. 2		027F2130	027F2130	027F2130	027F2130	027F2130
Pos. 2 Alu gasket	1					
53 Manual operation device	1					
Piston, fig. 2		027F0395	027F0395	027F0395	027F0395	027F0395
Pos. 21 Piston	1					
25 Piston ring	1					
Piston ring, fig. 2		027F0650	027F0650	027F0650	027F0650	027F0650
Pos. 25 Piston ring	1					
Orifice, fig. 2		027F0668	027F0668	027F0668	027F0668	027F0668
Pos. 31 Orifice	1					
Spring set "STANDARD", fig. 2		027F0911	027F0911	027F0911	027F0911	027F0911
Pos. 23 Spring	1					
Spring set "WEAK", fig. 2		027F2190	027F2190	027F2190	027F2190	027F2190
Pos. 23 Spring	1					
Label	1					
Seal kit, fig. 2		027F0086	027F0086	027F0086	027F0086	027F0086
Pos. 2 Alu gasket	1					
4 Alu gasket	1					
12 Gasket	1					
26 Gasket	1					
27 Gasket	1					
A1 O-ring	3					
A2 Gasket	3					
A3 Gasket	2					
Seal kit, fig. 2		027F2170	027F2170	027F2170	027F2170	027F2170
Pos. 26 Gasket	1					
27 Gasket	1					
Flange gaskets, fig. 2		027F2175	027F2175	027F2175	027F2175	027F2175
Pos. A3 Gasket	2					

Flanges, bolts and nuts: See RX00A

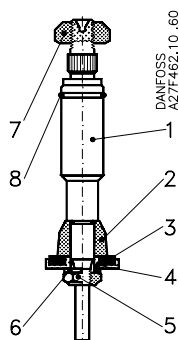


Fig. 1, Piston assembly

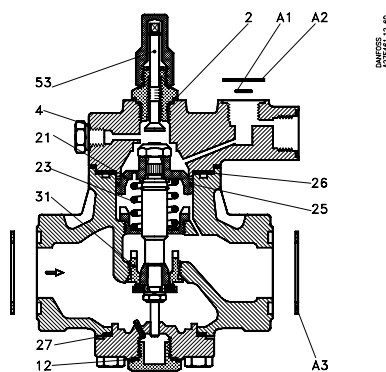









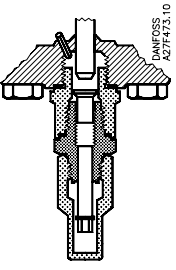
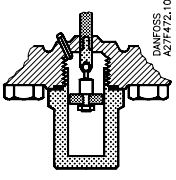


Fig. 2, PMFH

		Size 80-7	Size 125	Size 200	Size 300	Size 500
Description	Qty	Code no.	Code no.	Code no.	Code no.	Code no.
Piston rod assembly, fig. 1		027F0253	027F0254	027F0255	027F0256	027F0257
Pos. 1 Push rod	1					
2 Regulating cone	1					
3 Valve plate	1					
4 Clamping plate	1					
5 Nut	1					
6 Spring washer	1					
7 Nut	1					
8 Locking ring	1					
Valve plate, fig. 1		027F0690	027F0691	027F0683	027F0684	027F0685
Pos. 3 Valve plate	1					
Manual operation device, fig. 2		027F2130	027F2130	027F2130	027F2130	027F2130
Pos. 2 Alu gasket	1					
53 Manual operation device	1					
Piston, fig. 2		027F0395	027F03956	027F0397	027F0398	027F0399
Pos. 21 Piston	1					
25 Piston ring	1					
Piston ring, fig. 2		027F0650	027F0651	027F0652	027F0653	027F0654
Pos. 25 Piston ring	1					
Orifice, fig. 2		027F0668	027F0679	027F0680	027F0681	
Pos. 31 Orifice	1					
Spring set "STANDARD", fig. 2		027F0911	027F0912	027F0913	027F0914	027F0915
Pos. 23 Spring	1					
Spring set "WEAK", fig. 2		027F2190	027F2191	027F2192	027F2193	027F2194
Pos. 23 Spring	1					
Label	1					
Seal kit, fig. 2		027F0086	027F0087	027F0088	027F0089	027F0090
Pos. 2 Alu gasket	1					
4 Alu gasket	1					
12 Gasket	1					
26 Gasket	1					
27 Gasket	1					
A1 O-ring	3					
A2 Gasket	3					
A3 Gasket	2					
Seal kit, fig. 2		027F2170	027F2171	027F2172	027F2173	027F2174
Pos. 26 Gasket	1					
27 Gasket	1					
Flange gaskets, fig. 2		027F2175	027F2176	027F2177	027F2178	027F2179
Pos. A3 Gasket	2					

Flanges, bolts and nuts: See RX00A

Spare parts and accessories
Liquid level regulators, type PMFL and PMFH

Accessories	Description	Qty	Code no.
	Pilot connector solder/weld ID 6.5/OD 10 mm Nipple assembly Gasket	1 1	027F0665
	Seal kit for solder/weld pilot connector Alu gasket Gasket	4 4	027F1005
	Pilot connector , $\frac{3}{8}$ in. flare Nipple Gasket	1 1	027F0115
	Pressure connector , solder/weld Nipple assembly Alu gasket	1 1	027B2035
	Seal kit for solder/weld pressure gauge connector Alu gasket Alu gasket	10 10	027B2029
	Pressure gauge connector cutting ring connector (Ermeto) 6 mm 10 mm	1 1	027B2063 027B2064
	Pressure gauge connector , $\frac{1}{4}$ NPT	1	027B2062
	Pressure gauge connector , flare (Must not be used in ammonia systems!) Nipple Schraeder valve Cap Alu gasket	1 1 1 1	027B2041
	Function indicator Function indicator assembly Protection cap Gasket	1 1 1	027F0085
	Manual opening device , for PMFL only Can be fitted instead of the bottom plug Manual operation assembly Nipple Alu gasket Gasket	1 1 1 1	027F0128
	Damping cylinder , for PMFH 80 to 500 Can be fitted instead of the bottom plug Damping cylinder assembly Gasket	1 1	027F2195