

Fig. 1, Small REG 3-10

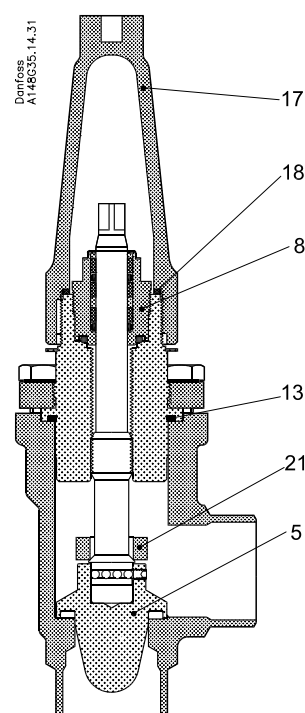


Fig. 2, Medium/large REG 15-40

Description	Type	Size 3-10 Small (1/8-3/8 in.)	Size 15-25 Medium (1/2-1 in.)	Size 25-40 Large (1-1 1/2 in.)
		Code no. For cone no. ( )*	Code no. For cone no. ( )*	Code no. For cone no. ( )*
<b>Spare part kit</b> , for bonnet and cap (dismounting set) Pos. 13 O-ring for housing/bonnet 17 Cap incl. gasket 18 Gasket for cap	all	<b>148B4070</b>	<b>148B4053</b>	<b>148B4008</b>
<b>Repair kit</b> , complete set of gaskets Pos. 5 Cone complete incl. steel balls and Allen screw 8a Gaskets complete for packing gland 13 O-ring for housing/bonnet 18 Gasket for cap 21 Distance ring Allen key	See cone no.	(1) <b>2453+035</b>	(4) <b>2453+038</b>	(8) <b>2453+042</b>
		(2) <b>2453+036</b>	(5) <b>2453+039</b>	(9) <b>2453+043</b>
		(3) <b>2453+037</b>	(6) <b>2453+040</b>	(10) <b>2453+044</b>
		-	(7) <b>2453+041</b>	-
<b>Packing gland incl. gaskets</b> (with O-rings) Pos. 8 Packing gland incl. gaskets	all	<b>148B4072</b>	<b>148B4056</b>	<b>148B4032</b>
<b>Cap incl. gasket</b> Pos. 17 Cap incl. gasket	-	<b>148B4074</b>	<b>148B4075</b>	<b>148B4076</b>
<b>Top without cone</b>		<b>148G3515</b>	-	-
<b>Top without cone – before January 2003</b>		-	<b>148G3516</b>	<b>148G3517</b>
<b>Top without cone – after January 2003</b>		-	<b>148G3518</b>	<b>148G3519</b>
<b>Grease for packing gland</b> (tube)	-	<b>2452+143</b>	<b>2452+143</b>	<b>2452+143</b>

**\* Note:**

Cone No. equal to last digit in type designation (e.g. REG 15 A XXn, n = cone no.)

Top: Complete valve without housing