

060R9513

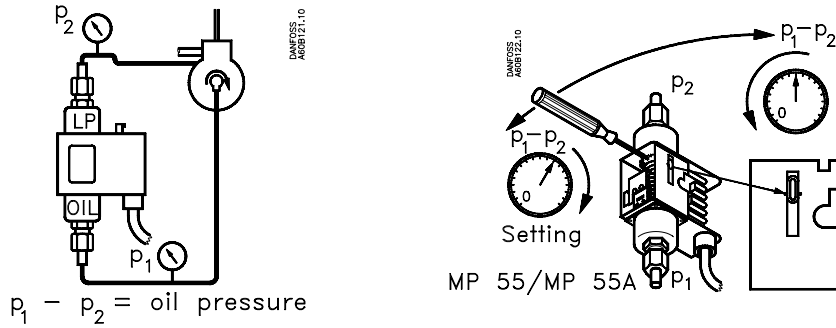
060R9513

MP 54, MP 55:

R 22, R 134a, R 404A, R 407C, R 12, R 502 et al.

MP 55A:

R 717 (NH₃), R 22, R 134a, R 404A, R 407C, R 12, R 502 et al.



331

