

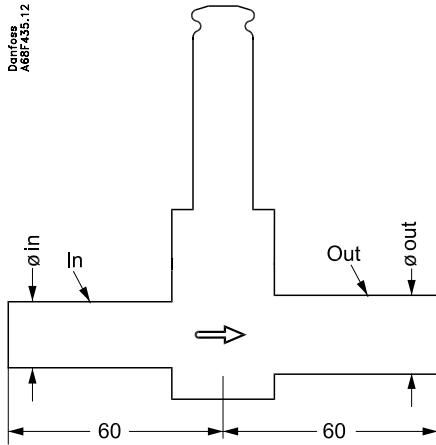
Instructions

068R9546

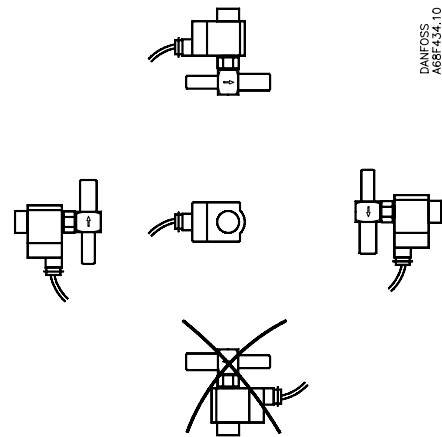
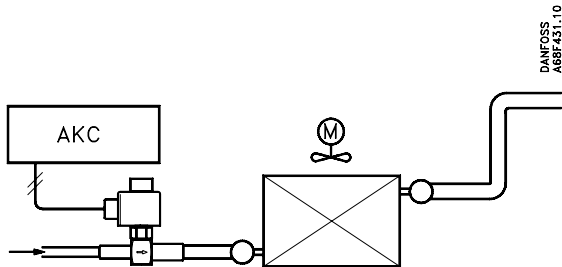
068R9546

Electrically operated expansion valve

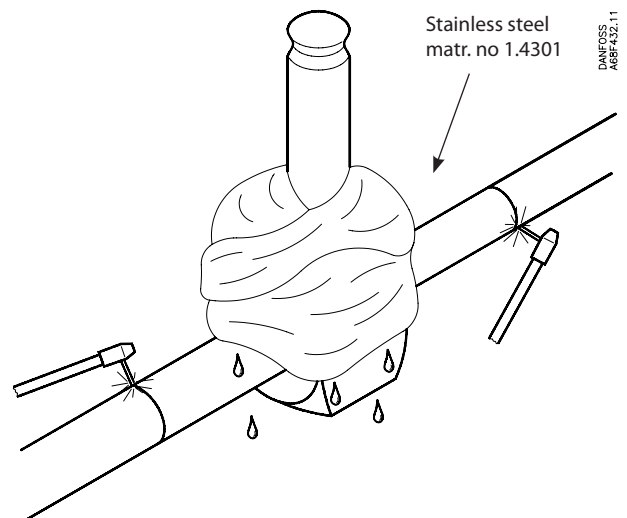
AKVA 10-n (n= 1-8)



AKVA 10 -	1, 2, 3, 4, 5, 6	7,8
In	$\frac{3}{8}$ " ($\varnothing_{in} = 17.2$ mm)	$\frac{1}{2}$ " ($\varnothing_{in} = 21.3$ mm)
Out	$\frac{1}{2}$ " ($\varnothing_{out} = 21.3$ mm)	$\frac{3}{4}$ " ($\varnothing_{out} = 26.9$ mm)



Dyse, Düse, Orifice, Orificio		kW	TR
n	Best.nr. Code no. Bestell-Nr. N° de code Núm. de código		
1	068F0526	4.0	1.1
2	068F0527	6.3	1.8
3	068F0528	10.0	2.8
4	068F0529	16.0	4.5
5	068F0530	25.0	7.1
6	068F0531	40.0	11.4
7	068F0532	63.0	18.0
8	068F0533	100.0	



Instructions

Ambient temperatur range:
 $-50^{\circ}\text{C} < t_{\text{amb}} < 50^{\circ}\text{C}$
 $-58^{\circ}\text{F} < t_{\text{amb}} < 120^{\circ}\text{F}$

Media temperatur range
 $-50^{\circ}\text{C} < t_{\text{media}} < 60^{\circ}\text{C}$
 $-58^{\circ}\text{F} < t_{\text{media}} < 140^{\circ}\text{F}$

Max Working pressure:
 $P_s = 42 \text{ barg} / \text{MWP} = 610 \text{ psig}$
 Max test pressure
 $PT = 46,2 \text{ barg} / 670 \text{ psig}$
 Max differential pressure
 $\text{MOPDmax} = (P_1 - P_2) = 18 \text{ bar} (260 \text{ psi})$
 Media R717, R744, HCFC, HFC

Do not insulate the valve.

DANFOSS
A6BF420.10

Clip-on coil

DANFOSS
A6BF503.11

On

Off

DANFOSS
A6BF504.10

Pakningen skal skiftes, hvis ventilen adskilles

The gasket must be exchanged, if the valve is dismantled

Bei Zerlegung des Ventils muß die Dichtung ausgetauscht werden.

Changer le joint chaque fois que la vanne est démontée

Es preciso cambiar la junta si se desmonta la válvula

DANFOSS
A6BF430.10

Ny
New
Neu
Neuf
Nueva

Brugt
Used
Gebraucht
Usagé
Usado

DANFOSS
A6BF436.11

DANFOSS
A6BF437.12

75 Nm