

Fig. 1, TEA

Description	Qty	Code no.	Code no.	Code no.
Orifice assembly, fig. 1				1 TR 068G2050
Pos. 3 Damping orifice	1			
4 O-ring	1			
5 Gasket	1			
9 Orifice assembly	1			
Orifice assembly, fig. 1		2 TR 068G2051	3 TR 068G2052	5 TR 068G2053
Pos. 4 O-ring	1			
5 Gasket	1			
9 Orifice assembly	1			
Orifice assembly, fig. 1		8 TR 068G2054	12 TR 068G2055	20 TR 068G2056
Pos. 4 O-ring	1			
5 Gasket	1			
9 Orifice assembly	1			
Orifice assembly, fig. 1		33 TR 068G2057	55 TR 068G2058	85 TR 068G2059
Pos. 4 O-ring	1			
5 Gasket	1			
9 Orifice assembly	1			
Seal kit, TEA 20, fig. 1			068G0051	
Pos. 1 Gasket	1			
2 Gasket	1			
4 O-ring	1			
5 Gasket	1			
23 Flange gasket	2			
Seal kit, TEA 85, fig. 1			068G0053	
Pos. 1 Gasket	1			
2 Gasket	1			
4 O-ring	1			
5 Gasket	1			
23 Gasket	2			

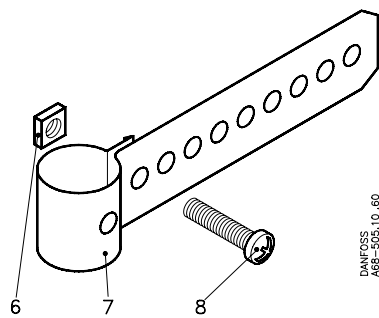


Fig. 2

Accessories				
Bulb strap, fig. 2				068-1212
for max. dia. 35 mm tube				
Pos. 6 Nut	1			
7 Strap	1			
8 Screw	1			

TR = Tons of Refrigeration