

Fig. 1 – before May 2002

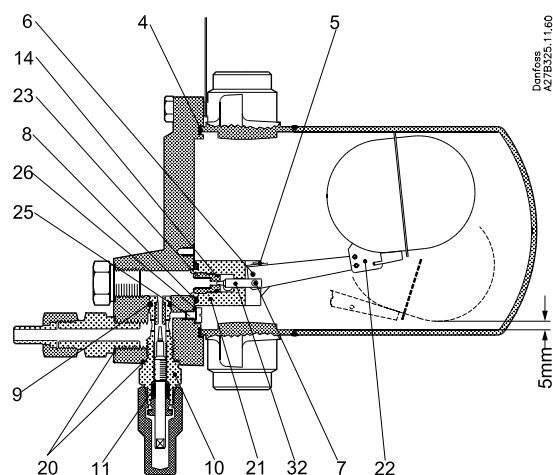


Fig. 2 – after May 2002

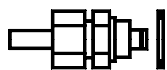


Fig. 3



Fig. 4



Fig. 5

Description	Qty	Size 1	Size 3
		Code no.	Code no.
Insert assembly, fig. 1 and fig. 2			
Pos. 5 Clamp	1	027B2051	027B2053
6 Pin	1		
7 Pin	1		
8 O-ring	1		
14 O-ring	1		
19 Spring washer	2		
21 Valve body	1		
22 Float assembly	1		
23 Orifice	1		
25 Screw	2		
28 Nut	2		
32 Needle	1		
Service kit, fig. 1 and fig. 2			
Pos. 6 Pin	1	027B2055	027B2056
7 Pin	1		
14 O-ring	1		
23 Orifice	1		
32 Needle	1		
Bypass valve, fig. 1 and fig. 2			
Pos. 9 O-ring	1	027B2046	027B2046
10 Valve assembly	1		
20 Gasket	1		
Seal kit, fig. 1 and fig. 2			
Pos. 4 Gasket	1	027B2045	027B2045
8 O-ring	1		
9 O-ring	1		
11 Teflon gasket	1		
14 O-ring	1		
20 Gasket	2		
26 Gasket	1		
Seal kit, fig. 1 and fig. 2			
Pos. 4 Gasket	1	027B2061	027B2061
Accessories			
Pilot connector, fig. 3			
for solder/weld ID 6.5/OD 10 mm		027B2047	027B2047
Nipple assembly	1		
Gasket	1		
Seal kit, fig. 4			
for solder/weld pilot connector		027B2028	027B2028
Alu gasket	4		
Gasket	4		
Pilot connector, fig. 5			
³ / ₈ in. flare		027B2033	027B2033
Nipple	1		
Gasket	1		